



Rechargeable Bacteria and Biofilm Detection Lamp

USER MANUAL



Thank you for purchasing the EIT Bactiscan™ rechargeable bacteria and biofilm detection lamp, our latest innovation offering an all-in-one solution that combining a high performance lamp in a single lightweight, IP65 rated compact unit.

Important: Please read these instructions carefully to ensure the safe and effective use of this product.

With Bactiscan's™ unique wave alternating UV system, Bactiscan™ enables food processors to immediately isolate Biofilms, mould and bacteria such as salmonella and E.coli and many other contaminants are easily located and identified with Bactiscan™ which makes the remediation job much faster and therefore more cost effective.

These contaminants are often undetectable using other methods such as white light and UV lamps. With Bactiscan™ you can light up the entire surface and get an immediate result, so within seconds you can pick things up that would take hours with any other method.

Handheld bacteria and biofilm detection system

Environmentally friendly wave altering UV to quickly identify areas harbouring bacterial contaminants such as E.coli, listeria and salmonella which are often missed under standard white light or UV lamp.



Normal View
Item looks clean and normal
under white light or standard UV



Bactiscan™ View
Clearly reveals contamination

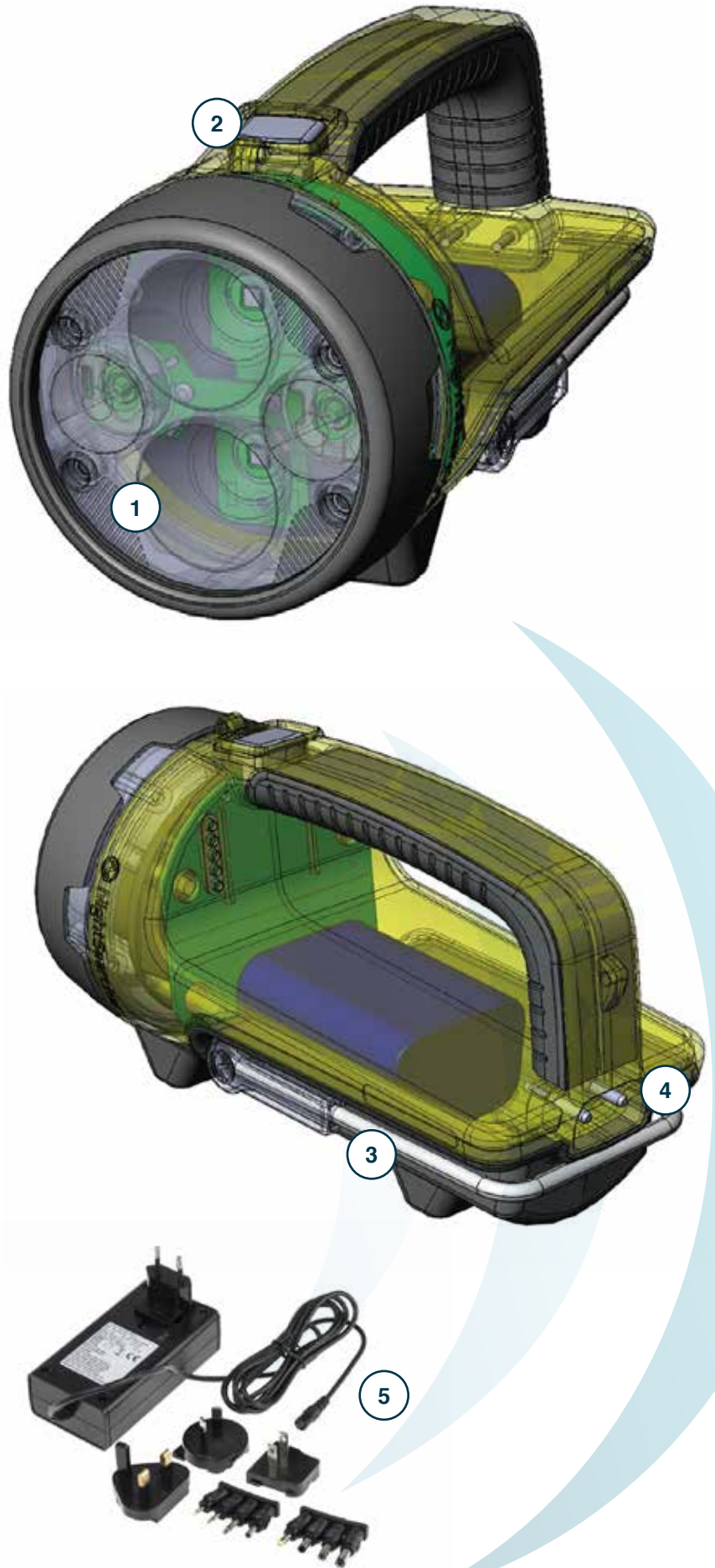
Index

- Page 3** Parts
- Page 4** Charging
- Page 5** Mounting the charging base
Attaching the shoulder strap
- Page 6** Operating the Bactiscan™
Specification
Important warnings
- Page 7** Safe disposal of waste electrical products
Warranty terms

Parts

- 1 Lens
- 2 On/Off Button
- 3 Adjustable stand
- 4 Charging base
- 5 DC charger

An optional shoulder strap and AC Charger are available.



Charging



1

Slide the Bactiscan™ inside the charging base, push until it slots in the back and connects with the charging ports.



2

Connect the charger lead into the input socket at the back of the charging base.



3

Plug the charger into a suitable socket outlet. Turn switch on. The indicator on the charger will illuminate red when charging and green when fully charged.



4

To release the Bactiscan™ from the charging base, hold and pull the release levers towards you, use your thumb to push the Bactiscan away from the charging slot as shown in picture.



5

Once the Bactiscan™ is released slide the lamp out of the charging base.

The Bactiscan™ unit is ready to be used.

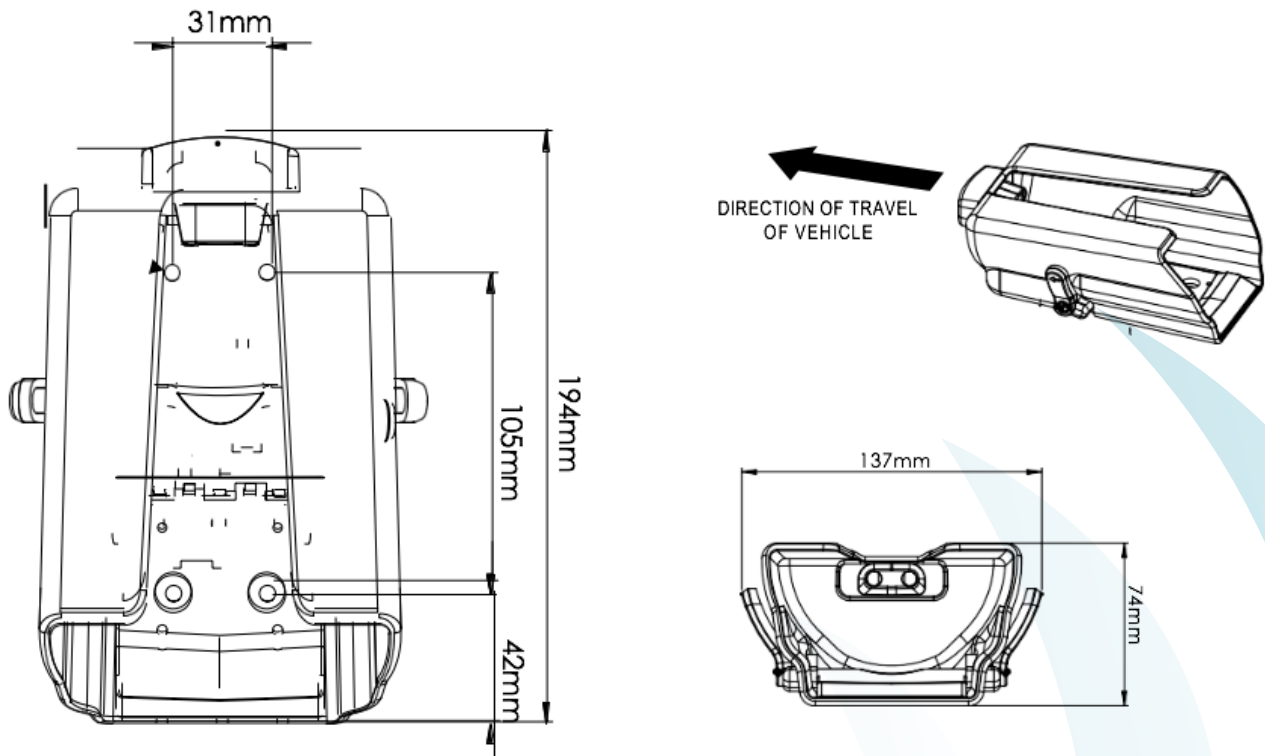
Please note: The battery will reach optimum performance after 5 complete discharge/charge cycles.

Mounting the charging base

The Bactiscan™ lamp is supplied with a charging base, providing a convenient way to charge it. The base can be used flat on a desk, or fixed on a wall or a vehicle. The charging base has four mounting holes, measurements are shown in Figure 1. Make sure the M5 fixings screws used to mount the charging base, are strong enough to support the weight of the Bactiscan™. Take care not to over tighten the fixings and mount on a flat/level surface, so the charge base isn't distorted or damaged.

Figure 1

Holder may be mounted on either a horizontal or vertical panels.
Mount using four M5 fixing screws



Attaching the shoulder strap

An optional shoulder strap is available to buy, making it comfortable to carry the lamp, whilst keeping your hands free to perform other tasks. See Figure 2 showing the fitting and removing of the strap.

Figure 2



Operating the Bactiscan™

To switch ON, simply hold the grey button and the Bactiscan™ will turn on.
To turn the lamp off, release the grey button.



Specification

Runtime	
Product	Bactiscan™
Power On	1h 30min
Charge Time	6hrs 30mins
IP Rating	IP67
Battery	7.4V 6.6Ah Li-ion
Impact Resistance	1.5 Metres
Charge Base	Yes
Vehicle Charger	Yes
Dimensions	250 x 125 x 120 (mm)
Weight	1.0KG

Important Warnings

- Read manual before use
- Always use the charger supplied, never use a damaged charger or alternative charger
- Disconnect from any power sources and switch off, before performing any routine cleaning or maintenance
- Leave servicing to a qualified person. In case of any problems or questions please contact EIT at support@eit-international.com
- Do not shine the light directly into people's eyes, as it may damage their eyesight
- Keep out of reach of children

Safe disposal of waste electrical products and batteries

If at any time, you need to dispose of this product or parts of this product: please note that waste electrical products and batteries should not be disposed of with ordinary household waste. Recycle where facilities exist. Check with your local authority for recycling advice. Alternatively, EIT International is happy to take receipt of this product at end-of-life and will recycle it on your behalf.



Warranty

All EIT International products have a 1-year standard warranty on all manufacturing defects and 1-year warranty on all rechargeable batteries from the date of purchase.

EIT International warrants this product free from defects in material and workmanship for a period of 1 year from the date of purchase. This warranty does not cover damage caused by misuse or abuse, accident, the attachment of any unauthorised accessory, alteration to the product, or any other conditions whatsoever that are beyond the control of EIT International.

Registration of the product must be made within one month of purchase by sending us an email support@eit-international.com. In the message please state in your own words that you would like to register your Bactiscan product for the extended warranty.



EIT International
Biopharma House
Winnall Valley Road
Winnall
Winchester
United Kingdom
SO23 0LD

 +44(0) 1962 841092
 www.eit-international.com
 EIT International